

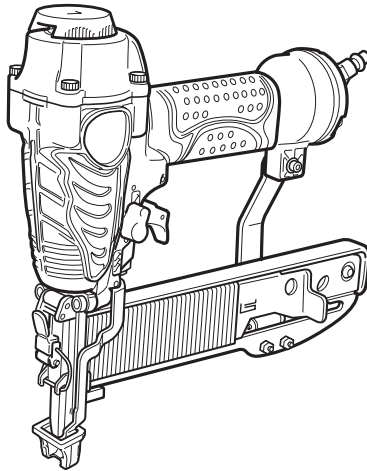
HIKOKI

Instruction and safety manual

Model

N 3804AB3

Stapler



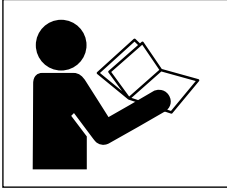
⚠ DANGER

Improper use of this Stapler can result in death or serious injury!
This Manual contains important information about product safety.
Read and understand this Manual before operating the Stapler.
Keep this Manual available for others before they use the Stapler.
Never allow anyone who has not reviewed this manual.

CONTENTS

| | Page | | Page |
|---|------|--------------------------------------|------|
| IMPORTANT SAFETY INFORMATION | 3 | BEFORE OPERATION | 9 |
| DEFINITIONS OF SIGNAL WORDS | 3 | WORKING ENVIRONMENT | 9 |
| EXPLANATION OF THE NAILING ACTION OF THE HIKOKI NAILER | 3 | AIR SUPPLY | 9 |
| SAFETY | | LUBRICATION | 10 |
| IMPORTANT SAFETY INSTRUCTIONS | | COLD WEATHER CARE | 10 |
| FOR USING STAPLERS | 4 | TESTING THE STAPLER | 10 |
| EMPLOYER'S RESPONSIBILITIES | 6 | ADJUSTING AIR PRESSURE | 12 |
| OPERATION | | LOADING STAPLES | 12 |
| NAME OF PARTS | 7 | STAPLER OPERATION | 12 |
| SPECIFICATIONS | 8 | METHODS OF OPERATION | 13 |
| STAPLE SELECTION | 8 | ADJUSTING THE STAPLING DEPTH | 15 |
| ACCESSORIES | 8 | CHANGING THE EXHAUST DIRECTION | 16 |
| STANDARD ACCESSORIES | 8 | USING THE NOSE CAP | 16 |
| OPTIONAL ACCESSORIES | 9 | MAINTENANCE | |
| APPLICATIONS | 9 | MAINTENANCE AND INSPECTION | 16 |
| | | SERVICE AND REPAIRS | 17 |
| | | PARTS LIST | 20 |

IMPORTANT SAFETY INFORMATION



Read and understand tool labels and all of the operating instructions, safety precautions and warnings in this manual before operating or maintaining this stapler. Failure to follow warnings could result in DEATH or SERIOUS INJURY.

Most accidents that result from the operation and maintenance of Staplers are caused by the failure to observe basic safety rules or precautions. An accident can often be avoided by recognizing a potentially hazardous situation before it occurs, and by observing appropriate safety procedures.

Basic safety precautions are outlined in the "SAFETY" section of this Manual and in the sections which contain the operation and maintenance instructions.

Hazards that must be avoided to prevent bodily injury or machine damage are identified by DANGERS and WARNINGS on the Stapler and in this Manual.

NEVER use this Stapler for applications other than those specified in this Manual.

DEFINITIONS OF SIGNAL WORDS

DANGER indicates an imminently hazardous situation which, if not avoided, will result in death or serious injury.

WARNING indicates a potentially hazardous situation which, if not avoided, could result in death or serious injury.

CAUTION indicates a potentially hazardous situation which, if not avoided, may result in minor or moderate injury, or may cause machine damage.

NOTE emphasizes essential information.

EXPLANATION OF THE NAILING ACTION OF THE HIKOKI NAILER

- **SINGLE ACTUATION MECHANISM (SINGLE SEQUENTIAL ACTUATION MECHANISM):**
First, press the push lever against the wood; next, pull the trigger to drive the fastener.
First, pull the trigger; next, press the push lever against the wood to drive the fastener.
After fastening once, fastening will not be possible again until the trigger is released and pressed again.
- **CONTACT ACTUATION MECHANISM:**
First, press the push lever against the wood; next, pull the trigger to drive the fastener.
First, pull the trigger; next, press the push lever against the wood to drive the fastener.
If the trigger is held back, a fastener will be driven each time the push lever is pressed against the wood.
- **FULL SEQUENTIAL ACTUATION MECHANISM:**
First, press the push lever against the wood; next, pull the trigger to drive the fastener.
Follow the same sequence to continue driving fasteners.

SAFETY

IMPORTANT SAFETY INSTRUCTIONS FOR USING STAPLERS

READ ALL INSTRUCTIONS

⚠ DANGER

1. OPERATORS AND OTHERS IN WORK AREA MUST WEAR SAFETY GLASSES WITH SIDE SHIELDS.



When operating the Stapler, always wear safety glasses with side shields, and make sure others in work area wear safety glasses, too.

Safety glasses must conform to the requirements of American National Standards Institute, ANSI Z87.1 and provide protection against flying particles both from the front and side.

The employer must enforce the use of safety glasses by the Stapler operator and others in work area.

2. NEVER USE OXYGEN OR OTHER BOTTLED GASES. EXPLOSION MAY OCCUR.



Never use oxygen, combustible gases or any other bottled gases as a power source for the Stapler.

Use of the above gases is dangerous, as the Stapler will explode.

Use only clean, dry, regulated compressed air.

⚠ WARNING

3. NEVER POINT TOOL AT YOURSELF OR OTHERS IN WORK AREA.



Always assume the Stapler contains fasteners.

Never point the Stapler at yourself toward yourself or others, whether it contains fasteners or not.

If fasteners are mistakenly driven, it can lead to severe injuries.

Never engage in horseplay with the Stapler.

Respect the Stapler as a working implement.

4. KEEP FINGERS AWAY FROM TRIGGER WHEN NOT DRIVING FASTENERS TO AVOID ACCIDENTAL FIRING.

Never carry the Stapler with finger on trigger since you could drive a fastener unintentionally and injure yourself or someone else.

Always carry the Stapler by the handle only.

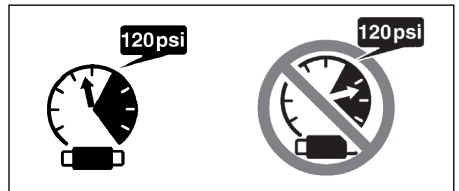
5. CHOICE OF TRIGGERING METHOD IS IMPORTANT.

Please read and understand page 13 of "METHODS OF OPERATION."

6. DO NOT EXCEED 120 psi. (8.3 bar 8.5 kgf/cm²)

Do not exceed maximum recommended air pressure 120 psi (8.3 bar 8.5 kgf/cm²).

Never connect the Stapler to pressure which potentially exceeds 200 psi (13.7 bar 14 kgf/cm²) as the Stapler can burst.



7. ALWAYS WEAR EAR AND HEAD PROTECTION.

Always wear ear protection to protect your ears from loud noise.

Always wear head protection to protect your head from flying objects.

8. STORE STAPLER PROPERLY.

When not in use, the Stapler should be stored in a dry place. Keep out of reach of children. Lock the storage area.

9. KEEP WORK AREA CLEAN.

Cluttered areas invite injuries. Clear all work areas of unnecessary tools, debris, furniture, etc.

10. NEVER USE IN PRESENCE OF FLAMMABLE LIQUIDS OR GASES.

The Stapler produces sparks during operation. Never use the Stapler in sites containing lacquer, paint, benzene, thinner, gasoline, gases, adhesive agents, and other materials which are combustible or explosive.

SAFETY — Continued

⚠ WARNING

- 11. KEEP VISITORS AWAY.**
Do not let visitors handle the Stapler.
All visitors should be kept safely away from work area.
- 12. DRESS PROPERLY.**
Do not wear loose clothing or jewelry as they can be caught in moving parts.
Rubber gloves and nonskid footwear are recommended when working outdoors.
Wear protective hair covering to contain long hair.
- 13. NEVER USE NON RELIEVING COUPLER ON STAPLER.**
If a non relieving coupler is used on the Stapler, the Stapler can remain charged with air after disconnecting and thus will be able to drive a fastener even after disconnecting.
The Stapler and air hose must have a hose coupling such that all pressure is removed from the Stapler when the coupling joint is disconnected.
- 14. CHECK PUSH LEVER BEFORE USE.**
Make sure the push lever operates properly. (The push lever may be called "Safety".) Never use the Stapler unless the push lever is operating properly, otherwise the Stapler could drive a fastener unexpectedly. Do not tamper with or remove the push lever, otherwise the push lever becomes inoperable.
- 15. KEEP ALL SCREWS AND COVERS TIGHTLY IN PLACE.**
Keep all screws and covers tightly mounted. Check their condition periodically.
Never use the Stapler if parts are missing or damaged.
- 16. DO NOT LOAD FASTENERS WITH TRIGGER PULLED OR PUSH LEVER DEPRESSED.**
When loading fasteners into the Stapler or when connecting the air hose,
 - 1) do not pull the trigger;
 - 2) do not depress the push lever; and
 - 3) keep the Stapler pointed downward.
- 17. KEEP FACE, HANDS AND FEET AWAY FROM FIRING HEAD AT ALL TIMES.**
Never place your face, hands or feet closer than 8 inches (200 mm) from the firing head.
A serious injury can result if the fasteners are deflected by the workpiece, or are driven away from the point of entry.
- 18. PLACE STAPLER PROPERLY ON WORKPIECE.**
Do not drive fasteners on top of other fasteners or with the Stapler at too steep of an angle; the fasteners can ricochet and hurt someone.
- 19. BEFORE STARTING WORK, CHECK THE FASTENING OPERATION SWITCHING DEVICE.**
This HiKOKI stapler includes a fastening operation switching device.
Before starting work, check the setting of the operation switching device.
If the switching device is not set properly, the stapler will not operate correctly.
- 20. BE CAREFUL OF DOUBLE FIRE DUE TO RECOIL.** If the push lever is unintentionally allowed to re-contact the workpiece following recoil, an unwanted fastener will be driven.
In order to avoid this undesirable double fire,
 - Intermittent operation (Trigger firing)
 - 1) Set the switching device to SINGLE ACTUATION MECHANISM.
 - 2) Pull the trigger rapidly and firmly.
 - Continuous operation (Push lever firing)
 - 1) Do not press the stapler against the workpiece with excessive force.
 - 2) Separate the stapler from the workpiece as it recoils after fastening.
- 21. DO NOT DRIVE FASTENERS INTO THIN BOARDS OR NEAR CORNERS AND EDGES OF WORKPIECE.**
The fasteners can be driven through or away from the workpiece and hit someone.
- 22. NEVER DRIVE FASTENERS FROM BOTH SIDES OF A WALL AT THE SAME TIME.**
The fasteners can be driven into and through the wall and hit a person on the opposite side.
- 23. CHECK FOR LIVE WIRES.**
Avoid the risk of severe electrical shock by checking for live electrical wires that may be hidden by walls, floors or ceilings. Turn off the breaker switch to ensure there are no live wires.
- 24. NEVER CARRY STAPLER BY HOSE.**
- 25. DO NOT OVERREACH.**
Keep proper footing and balance at all times
- 26. NEVER USE STAPLER WHICH IS DEFECTIVE OR OPERATING ABNORMALLY.**
If the Stapler appears to be operating unusually, making strange noises, or otherwise appears defective, stop using it immediately and arrange for repairs by a HiKOKI authorized service center.
- 27. DO NOT DISCONNECT AIR HOSE FROM STAPLER WITH FINGER ON TRIGGER.**
The Stapler can fire when re-connected to an air supply.

SAFETY — Continued

⚠ WARNING

- 28. DISCONNECT AIR HOSE FROM STAPLER WHEN:**
- 1) doing maintenance and inspection;
 - 2) loading fasteners;
 - 3) turning the adjuster and top cover;
 - 4) attaching or removing the nose cap;
 - 5) clearing a jam;
 - 6) it is not in use;
 - 7) leaving work area;
 - 8) moving it to another location; and
 - 9) handing it to another person.
- Never attempt to clear a jam or repair the Stapler unless you have disconnected air hose from the Stapler and removed all remaining fasteners from the Stapler.
The Stapler should never be left unattended since people who are not familiar with the Stapler might handle it and injure the themselves.
- 29. STAY ALERT.**
Watch what you are doing. Use common sense. Do not operate the Stapler when you are tired. The Stapler should never be used by you if you are under the influence of alcohol, drugs or medication that makes you drowsy.
- 30. HANDLE STAPLER CORRECTLY.**
Operate the Stapler according to this Manual. Never allow the Stapler to be operated by children, individuals unfamiliar with its operation or unauthorized personnel.
- 31. NEVER USE STAPLER FOR APPLICATIONS OTHER THAN THOSE SPECIFIED IN THIS MANUAL.**
- 32. HANDLE STAPLER CAREFULLY.**
Because of high air pressure in the Stapler, cracks in the surface are dangerous. To avoid this, do not drop the Stapler or strike the Stapler against hard surfaces; and do not scratch or engrave signs on the Stapler. Handle the Stapler carefully.
- 33. MAINTAIN STAPLER WITH CARE.**
Keep the Stapler clean and lubricated for better and safer performance.
- 34. USE ONLY PARTS, ACCESSORIES OR FASTENERS SUPPLIED OR RECOMMENDED BY HIKOKI.**
Unauthorized parts, accessories, or fasteners may void your warranty and can lead to malfunction and resulting injuries.
Only service personnel trained by HiKOKI, distributor or employer shall repair the Stapler.
- 35. NEVER MODIFY OR ALTER A STAPLER.**
Doing so may cause it to malfunction and personal injuries may result.
-
- ### EMPLOYER'S RESPONSIBILITIES
1. Ensure that this MANUAL is available to operators and personnel performing maintenance.
 2. Ensure that Staplers are used only when operators and others in work area are wearing EYE PROTECTOR.
 3. Enforce the use of EYE PROTECTOR by operators and others in work area.
 4. Keep Staplers in safe working order.
 5. Maintain Staplers properly.
 6. Ensure that Staplers which require repair are not further used before repair.

**SAVE THIS MANUAL AND
KEEP IT AVAILABLE FOR OTHERS!**

OPERATION

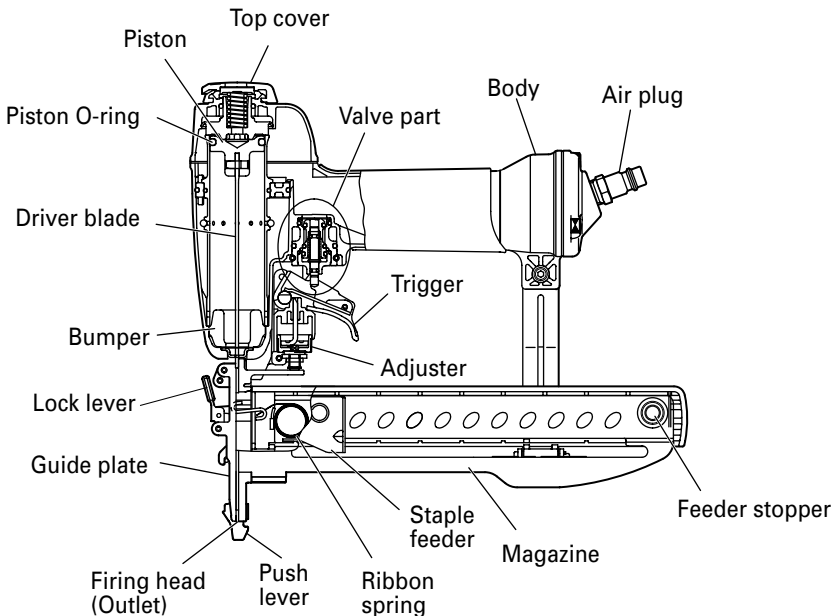
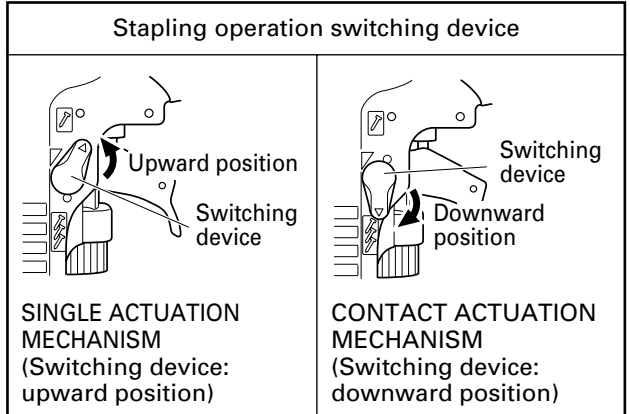
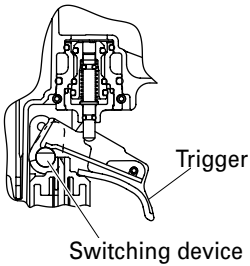
NOTE:

The information contained in this Manual is designed to assist you in the safe operation of the Stapler.

Some illustrations in this Manual may show details or attachments that differ from those on your own Stapler.

NAME OF PARTS

Enlarged view of the valve part



SPECIFICATIONS

| | |
|---------------------------------------|---|
| Operating pressure | 70 – 120 psi (4.9 – 8.3 bar 5 – 8.5 kgf/cm ²) |
| Dimensions Length × Height × Width | 10-11/32" × 9-1/4" × 2-3/8" (263 mm × 235 mm × 60 mm) |
| Weight | 2.3 lbs. (1.0 kg) |
| Magazine capacity | 100 Staples |
| Air consumption | .025 ft ³ /cycle at 100 psi (.73 ltr/cycle at 6.9 bar) (.73 ltr/cycle at 7 kgf/cm ²) |

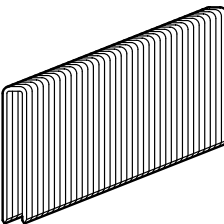
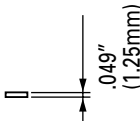
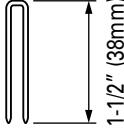
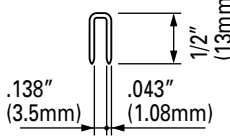
STAPLE SELECTION

⚠ WARNING

- Be sure to use only the genuine HiKOKI staples for the N3804AB3. The use of any other staples can result in tool malfunction and/or staple breakdown, leading to serious injuries.

Only staples shown in the Table below can be driven with this Stapler.

Dimensions of staples

| Finish staples 18 gauge | 18 Gauge 1/4" Crown | |
|---|--|--|
| | Min. | Max. |
|  |  |  |
| |  | |

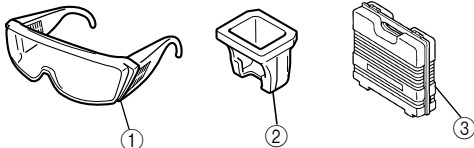
ACCESSORIES

⚠ WARNING

- Accessories other than those shown below can lead to malfunction and resulting injuries.

| | |
|------------------------------|---|
| ① Safety glasses | 1 |
| ② Nose cap (mounted on tool) | 2 |
| ③ Case | 1 |

STANDARD ACCESSORIES



OPTIONAL ACCESSORIES ... sold separately

- Full Sequential Actuation Mechanism kit (Sequential Trip Mechanism kit) (Code No. 885986)
- Pneumatic Tool Lubricant
 - .8 oz. (25 cc) oil feeder (Code No.877153)
 - 4 oz. (120 cc) oil feeder (Code No.874042)
 - 1 quart (1 ltr) can (Code No.876212)

NOTE:

Accessories are subject to change without any obligation on the part of HiKOKI.

APPLICATIONS

- Making cases for furniture
- Creating walls and other areas in mobile homes.
- Making doors and windows for home construction.

BEFORE OPERATION

Read section titled "SAFETY" (pages 4 – 6).
Make sure of the following before operation.

WORKING ENVIRONMENT

⚠ WARNING

- No flammable gas, liquid or other flammable objects at worksite.
- Clear the area of children or unauthorized personnel.

AIR SUPPLY

⚠ DANGER



- NEVER use oxygen or other bottled gases. Explosion may occur.

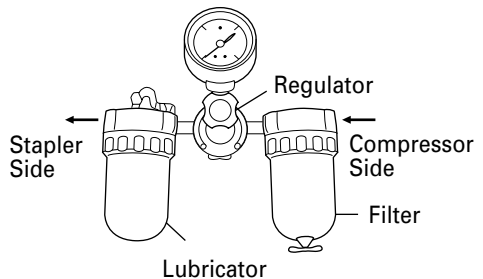
⚠ WARNING

- Never connect Stapler to pressure which potentially exceeds 200 psi (13.7 bar 14 kgf/cm²).
- Never use non relieving coupler on Stapler.

1. Power source
 - Use only clean, dry, regulated compressed air as a power source for this Stapler.
 - Air compressors used to supply compressed air to this Stapler must comply with the requirements of the latest version of ANSI Standard B 19.3

"Safety Standard For Compressors For Process Industries."

- Moisture or oil in the air compressor may accelerate wear and corrosion in the Stapler. Drain daily.
- 2. Filter-Regulator-Lubricator
 - Use a regulator with a pressure range of 0 – 120 psi (0 – 8.3 bar 0 – 8.5 kgf/cm²).
 - Filter-regulator-lubricator units supply an optimum condition for the Stapler and extend the Stapler life. These units should always be used.
 - Filter The filter removes moisture and dirt mixed in compressed air. Drain daily unless fitted with an automatic drain. Keep the filter clean by regular maintenance.
 - Regulator The regulator controls the operating pressure for safe operation of the Stapler. Inspect the regulator before operation to be sure it operates properly.
 - Lubricator The lubricator supplies an oil mist to the Stapler. Inspect the lubricator before operation to be sure the supply of lubricant is adequate. Use HiKOKI pneumatic tool lubricant.



3. Air hose
 - Air hose must have a minimum working pressure rating of 150 psi (10.4 bar 10.6 kgf/cm²) or 150% of the maximum pressure produced in the system, whichever is higher.
4. Air consumption
 - Using the Air consumption table and the Air compressor size formula, find a correct compressor size.

Air consumption table

| | psi (bar) | 80 (5.5) | 90 (6.2) | 100 (6.9) |
|--|---------------------------------------|---------------|---------------|---------------|
| Operating pressure (kgf/cm ²) | | (5.6) | (6.3) | (7) |
| Air consumption | ft ³ /cycle (ltr/cycle) | .019 (.55) | .023 (.64) | .025 (.73) |

Air compressor size formula

Amount of air required

= number of Staplers

× average staples driven each minute per Stapler

× air consumption at given air pressure

× safety factor (always 1.2)

Example: 3 Staplers (N3804AB3) operating at 100 psi driving 30 staples per minute

Amount of air required

= $3 \times 30 \times .025$ (.73) × 1.2

= 2.7 CFM (ft³/min) (78.8 ltr/min)

After making the calculations as shown above, you should find a compressor providing 2.7 CFM of air that is required.

LUBRICATION

It is important that the Stapler be properly lubricated. Without proper lubrication, the Stapler will not work properly and parts will wear prematurely.

- Use HiKOKI pneumatic tool lubricant. Do not use detergent oil or additives. These lubricants will harm the O-rings and other rubber parts. This will cause the Stapler to malfunction.
- Filter-regulator-lubricator units should always be used. Keep the lubricator filled with HiKOKI pneumatic tool lubricant.
- If a lubricator is not available, supply 5 – 10 drops of HiKOKI pneumatic tool lubricant into the air plug on the Stapler twice a day.

COLD WEATHER CARE

- Do not store the Stapler in a cold weather environment. Keep the Stapler in a warm area until beginning the work.
- If the Stapler is already cold, bring it in a warm area and allow the Stapler to warm up before use.
 - ① Reduce the air pressure to 40 psi (2.8 bar 2.8 kgf/cm²).
 - ② Remove all staples from the Stapler.
 - ③ Connect the air hose and free-fire (blank-fire) the Stapler. The lowered air pressure will be enough to free-fire the Stapler. Slow speed operation tends to warm up the moving part.

⚠ CAUTION:

- Do not free-fire the Stapler at high pressure.

TESTING THE STAPLER

⚠ DANGER



- Operators and others in work area **MUST** wear safety glasses with side shields which conforms to ANSI Z87.1 specifications.

⚠ WARNING

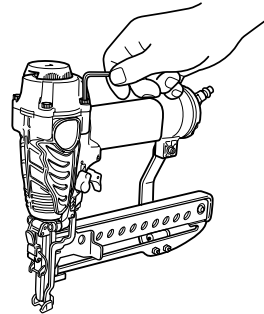
- **Never** use Stapler unless push lever is operating properly.

Before actually beginning the stapling work, test the Stapler by using the checklist below. Conduct the tests in the following order.

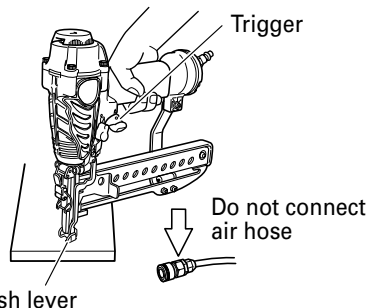
If abnormal operation occurs, stop using the Stapler and contact a HiKOKI authorized service center immediately.

- (1) DISCONNECT AIR HOSE FROM STAPLER. REMOVE ALL STAPLES FROM STAPLER.

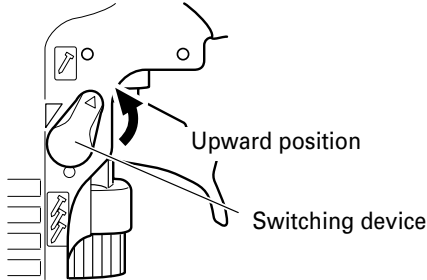
- ALL SCREWS MUST BE TIGHTENED. If any screws are loose, tighten them.



- THE PUSH LEVER AND TRIGGER MUST MOVE SMOOTHLY.



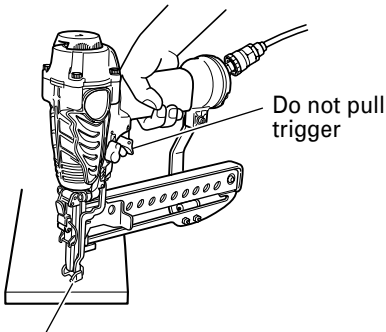
- (2) Adjust the air pressure to 70 psi (4.9 bar 5 kgf/cm²).
 Connect the air hose.
 Do not load any staples in the Stapler.
 Set the switching device to the upward position (SINGLE ACTUATION MECHANISM).
 (Set the switching device to the upward position completely as shown in the diagram. Otherwise, it will not operate properly.)



THE STAPLER MUST NOT LEAK AIR.

- (3) With finger off the trigger, depress the push lever against the workpiece.

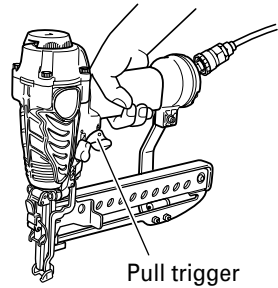
THE STAPLER MUST NOT OPERATE.



Depress push lever

- (4) Separate the push lever from the workpiece.
 Next, point the stapler downward, pull the trigger and then wait in that position for 5 seconds or longer.

THE STAPLER MUST NOT OPERATE.



Pull trigger

- (5) ① Without touching the trigger, depress the push lever against the workpiece.
 Pull the trigger.

THE STAPLER MUST OPERATE.

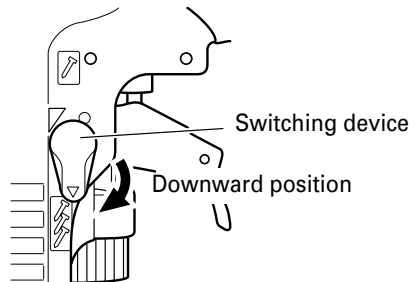
- ② Hold the trigger back while separating the push lever from the workpiece.

The stapler will remain in operated status (the driver blade will remain at the bottom).

- ③ Remove the finger from the trigger.

Stapler operation will end (the driver blade will return to the top).

- (6) Set the switching device to the downward position (CONTACT ACTUATION MECHANISM).
 (Set the switching device to the downward position completely as shown in the diagram. Otherwise, it will not operate properly.)



With the Stapler off the workpiece, pull the trigger.
 Depress the push lever against the workpiece.

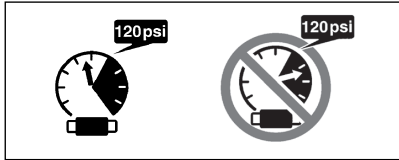
THE STAPLER MUST OPERATE.

- (7) If no abnormal operation is observed, you may load staples in the Stapler.
Drive staples into the workpiece that is the same type to be used in the actual application.

THE STAPLER MUST OPERATE PROPERLY.

ADJUSTING AIR PRESSURE

⚠ WARNING



- Do not exceed 120 psi (8.3 bar 8.5 kgf/cm²).

Adjust the air pressure at recommended operating pressure 70 – 120 psi (4.9 – 8.3 bar 5 – 8.5 kgf/cm²) according to the length of staples and the hardness of workpiece.

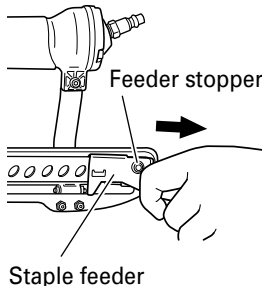
The correct air pressure is the lowest pressure which will do the job. Using the Stapler at a higher than required air pressure unnecessarily over stresses the Stapler.

LOADING STAPLES

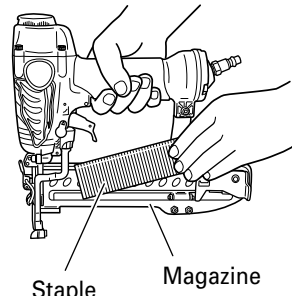
⚠ WARNING

- When loading staples into Stapler,
 - 1) do not pull trigger;
 - 2) do not depress push lever; and
 - 3) keep Stapler pointed downward.

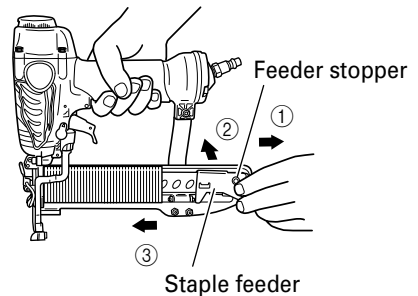
- (1) Pull the staple feeder backward, and confirm that the feeder stopper is securely lodged in the feeder stopper hole on the staple feeder.



- (2) Place the staple strip over the magazine. Make sure that the staple strip slides freely on the magazine.



- (3) Pull the staple feeder backward slightly, and press in the feeder stopper. Push the staple feeder forward. Gently set the staple feeder to the back of the loaded staples.



The Stapler is now ready to operate.

- ⚠ CAUTION:**
If the staple feeder is released all of a sudden, it can return abruptly, causing deformation and/or scatter, eventually ending up in clogged staples. Be absolutely sure to bring back the staple feeder, avoiding any impact.

STAPLER OPERATION

Read section titled "SAFETY" (pages 4 – 6).

⚠ DANGER



- Operators and others in work area **MUST** wear safety glasses with side shields which conforms to ANSI Z87.1 specifications.

⚠ WARNING



- **NEVER** point tool at yourself or others in work area.
- Keep fingers **AWAY** from trigger when not driving staples to avoid accidental firing.

- **Choice of triggering method is important.**
Please read and understand "METHODS OF OPERATION" found below.
- **Before starting work, check the stapling operation switching device.**
This HiKOKI stapler includes a stapling operation switching device.
Before starting work, make sure that the switching device is properly set.
If the switching device is not set properly, the stapler will not operate correctly.
- **Never place your hands or feet closer than 8 inches (200 mm) from firing head when using.**
- **Do not drive staples on top of other staples or with Stapler at too steep of an angle; staples can ricochet and hurt someone.**
- **In order to avoid double fire or unwanted ejection of a staple due to bouncing of the Stapler.**
 - 1) **do not push Stapler on workpiece with strong force;**
 - 2) **take Stapler away from workpiece using recoil;**
 - 3) **release trigger quickly when performing trigger fire.**
- **Do not drive staples into thin boards or near corners and edges of workpiece.**
Staples can be driven through or away from workpiece and hit someone.
- **Never drive staples from both sides of a wall at the same time.**
Staples can be driven into and through the wall and hit a person on the opposite side.
- **Never use Stapler which is defective or operating abnormally.**
- **Do not use Stapler as hammer.**
- **Disconnect air hose from Stapler when:**
 - 1) **turning the adjuster and top cover;**
 - 2) **attaching or removing the nose cap;**
 - 3) **it is not in use;**
 - 4) **leaving work area;**
 - 5) **moving it to another location; and**
 - 6) **handing it to another person.**

This HiKOKI stapler is equipped with a stapler operation switching device.

Use SINGLE ACTUATION MECHANISM or CONTACT ACTUATION MECHANISM in accordance with the work to be performed.

A FULL SEQUENTIAL ACTUATION MECHANISM KIT (SEQUENTIAL TRIP MECHANISM KIT) is also available as an option. Part no. 885986.

Explanation of the various stapling operations

- **SINGLE ACTUATION MECHANISM (SINGLE SEQUENTIAL ACTUATION MECHANISM):** First, press the push lever against the workpiece; next, pull the trigger to drive the staple.
First, pull the trigger; next, press the push lever against the workpiece to drive the staple.
After stapling once, stapling will not be possible again until the trigger is released and pressed again.
- **CONTACT ACTUATION MECHANISM:** First, press the push lever against the workpiece; next, pull the trigger to drive the staple.
First, pull the trigger; next, press the push lever against the workpiece to drive the staple.
If the trigger is held back, a staple will be driven each time the push lever is pressed against the workpiece.
- **FULL SEQUENTIAL ACTUATION MECHANISM:** First, press the push lever against the wood; next, pull the trigger to drive the nail. Follow the same sequence to continue driving nails.

METHODS OF OPERATION

This Stapler is equipped with the push lever and does not operate unless the push lever is depressed (upward position).

There are two methods of operation to drive staples with this Stapler.

They are:

1. Intermittent operation (Trigger fire);
 2. Continuous operation (Push lever fire);
- (1) Intermittent operation (Trigger fire)
Use the SINGLE ACTUATION MECHANISM setting.

⚠ WARNING

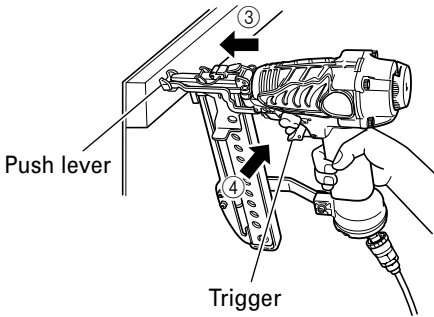
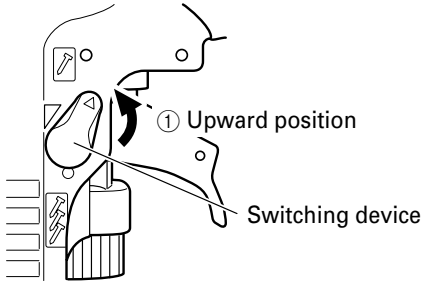
- **Unlike the FULL SEQUENTIAL ACTUATION MECHANISM, please note that the SINGLE ACTUATION MECHANISM of this HiKOKI nailer will drive a nail each time the push lever is pressed against the wood as long as the trigger is pressed.**
- **For intermittent operation, set the switching device to the upward position completely. (i.e. Set to SINGLE ACTUATION MECHANISM.)**
- **To avoid double firing or accidental firing due to recoil.**
 - 1) **Set the switching device to SINGLE ACTUATION MECHANISM.**
 - 2) **Pull the trigger rapidly and firmly.**

- ① Set the switching device to the upward position (to set to SINGLE ACTUATION MECHANISM).
(Set the switching device to the upward position completely as shown in the diagram.

Otherwise, it will be set to CONTACT ACTUATION MECHANISM.)

- ② Position the staple outlet on the workpiece with finger off the trigger.
- ③ Depress the push lever firmly until it is completely depressed.
- ④ Pull the trigger to drive a staple.
- ⑤ Remove finger from the trigger.

To continue stapling in a separate location, move the stapler along the workpiece, repeating steps ② - ⑤ as required.



- (2) Continuous operation (Push lever fire)
Using CONTACT ACTUATION MECHANISM

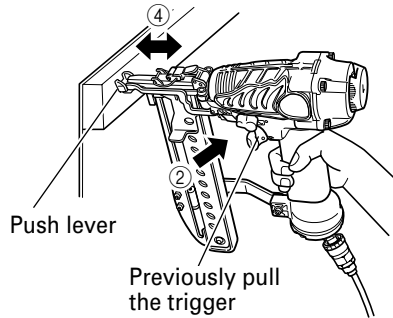
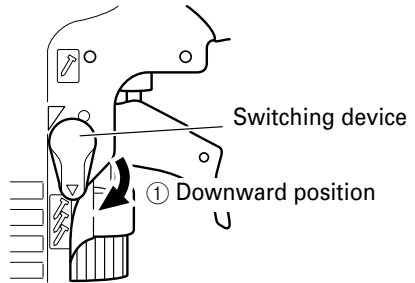
⚠ WARNING

- To avoid double firing or accidental firing due to recoil.
 - 1) Do not press the stapler against the workpiece with excessive force.
 - 2) Separate the stapler from the workpiece as it recoils after stapling.

- ① Set the switching device to the downward position (to set to CONTACT ACTUATION MECHANISM). (Set the switching device to the downward position completely as shown in the diagram. Otherwise, it will not operate properly.)

- ② Pull the trigger with the Stapler off the workpiece.
- ③ Depress the push lever against the workpiece to drive a staple.
- ④ Move the Stapler along the workpiece with a bouncing motion. Each depression of the push lever will drive a staple.

As soon as the desired number of staples have been driven, remove finger from the trigger.



⚠ WARNING

- Keep your finger off the trigger except during fastening operation, because serious injury could result if the push lever accidentally contacts you or others in work area.
- Keep hands and body away from the discharge area. The Stapler with contact trip mechanism may bounce from the recoil of driving a fastener and unwanted subsequent fastener may be driven, possibly causing injury.
- Some types of loaded staples can spark out of the muzzle during a staple driving operation. Exercise caution!

THE FULL SEQUENTIAL ACTUATION MECHANISM (SEQUENTIAL TRIP MECHANISM) is for use where precision fastener placement is desired and must be operated in accordance with the following "Method of Operation".

You must first depress the push lever (upward position) where you want to drive a nail and then pull the trigger. After the each nail is driven, completely release the trigger and lift the tool off the work surface. An **FULL SEQUENTIAL ACTUATION MECHANISM (SEQUENTIAL TRIP MECHANISM)** may reduce the possibility of bodily injury to you or others in the work area. This is because it is less likely to drive an unwanted nail if you keep the trigger pulled and accidentally bump the push lever against yourself or others. An **OPTIONAL SEQUENTIAL TRIP MECHANISM** may also reduce the speed of operation compared to the standard contact trip mechanism.

NOTE:

- If all warnings and instructions are followed, safe operation is possible with all three systems: **SINGLE ACTUATION MECHANISM, CONTACT ACTUATION MECHANISM and FULL SEQUENTIAL ACTUATION MECHANISM.**
- Always handle staples and package carefully. If staples are dropped, collating bond may be broken, which will cause mis-feeding and jamming.
- After stapling:
 - 1) disconnect air hose from the Stapler;
 - 2) remove all staples from the Stapler;
 - 3) supply 5 – 10 drops of HiKOKI pneumatic tool lubricant into the air plug on the Stapler; and
 - 4) open the petcock on the air compressor tank to drain any moisture.

ADJUSTING THE STAPLING DEPTH

⚠ WARNING

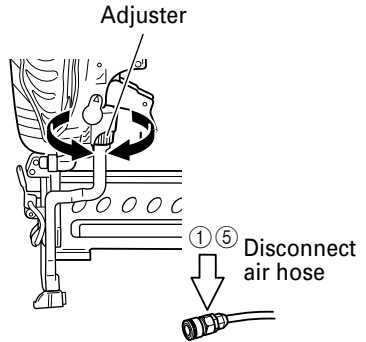
- **When adjusting the Adjuster, be sure to remove your finger from the trigger and disconnect the air hose from the stapler.**

To assure that each staple penetrates to the same depth, be sure that:

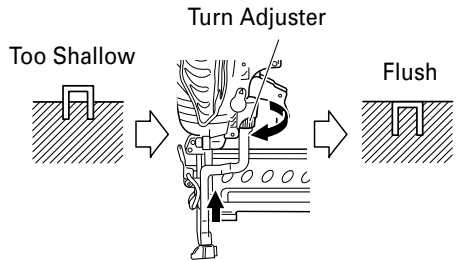
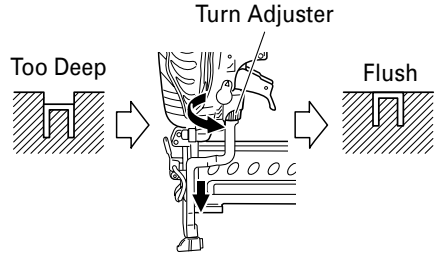
- 1) the air pressure to the Stapler remains constant (regulator is installed and working properly), and the Stapler is always held firmly against the workpiece.
- 2) If staples are driven too deep or shallow into the workpiece, adjust the stapling in the following order.

If staples are driven too deep or shallow into the workpiece, adjust the stapling in the following order.

- ① **DISCONNECT AIR HOSE FROM STAPLER.**



- ② If staples are driven too deep, turn the adjuster to the shallow side. If staples are driven too shallow, turn the adjuster to the deep side.



- ③ Stop turning the adjuster when a suitable position is reached for a stapling test.
- ④ Connect the air hose. **ALWAYS WEAR SAFETY GLASSES.** Perform a stapling test.
- ⑤ **DISCONNECT AIR HOSE FROM STAPLER.**
- ⑥ Choose a suitable position for the adjuster.

NOTE:

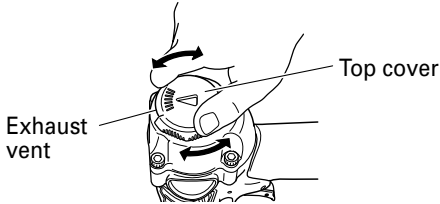
- The staple might not drive deep enough if using high pressure with the adjuster set upwards (shallow side) due to factors such as the material hardness or staple type. If that happens, reduce pressure and set the adjuster to lowest position so the staple drives in at a good position.

CHANGING THE EXHAUST DIRECTION

⚠ WARNING

- When changing the exhaust direction, be sure to remove your finger from the trigger and disconnect the air hose from the stapler.

The direction of the exhaust vent can be changed by turning the top cover.



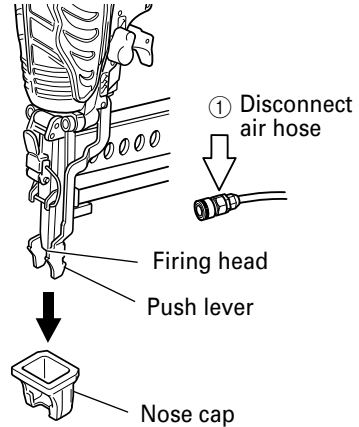
USING THE NOSE CAP

⚠ WARNING

- When detaching or attaching the nose cap, be sure to remove your finger from the trigger and disconnect the air hose from the stapler.

The nose cap is attached to the push lever tip to protect the workpiece from scratches or damage. Remove in the order shown below when not using.

- ① DISCONNECT AIR HOSE FROM STAPLER.
- ② Pull out the nose cap in the direction of the arrow as shown in the diagram.
- Attach to the tip of the push lever in the reverse order of detaching.



MAINTENANCE

NOTE:

The information contained in this Manual is designed to assist you in the safe maintenance of the Stapler.

Some illustrations in this Manual may show details or attachments that differ from those on your own Stapler.

MAINTENANCE AND INSPECTION

Read section titled "SAFETY" (pages 4 – 6).

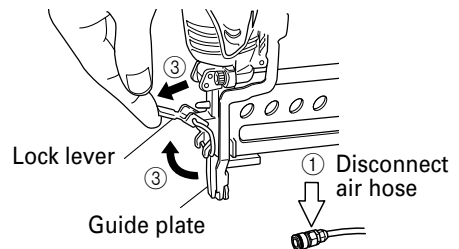
⚠ WARNING

- Disconnect air hose and remove all staples from Stapler when:
 - 1) doing maintenance and inspection; and
 - 2) clearing a jam.

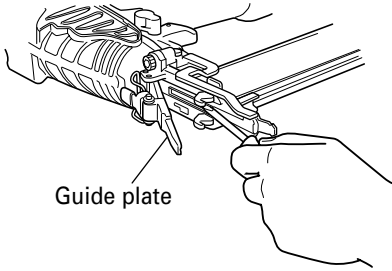
1. Clearing a jam

Remove a jammed staple in the following order:

- ① DISCONNECT AIR HOSE.
- ② Remove all staples.
- ③ Release the lock lever and open guide plate.



- ④ Remove the jammed staple with a slotted-head screwdriver.



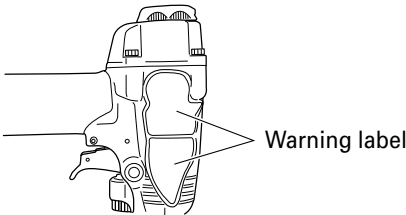
- ⑤ Close guide plate and latch.
 ⑥ In case of frequent jam, contact a HiKOKI authorized service center.

2. Storing

- When not in use for an extended period, apply a thin coat of the lubricant to the steel parts to avoid rust.
- Do not store the Stapler in a cold weather environment.
Keep the Stapler in a warm area.
- When not in use, the Stapler should be stored in a warm and dry place.
Keep out of reach of children.

3. WARNING LABEL

Change the WARNING LABEL if missing or damaged.
 A new WARNING LABEL is available from a HiKOKI authorized service center.



- 4. Maintenance chart (See page 18)
- 5. Operator troubleshooting (See page 18)
- 6. Service parts list

⚠ CAUTION:

- **Repair, modification and inspection of HiKOKI Power Tools must be carried out by a HiKOKI Authorized Service Center.**

This Parts List will be helpful if presented with the tool to the HiKOKI Authorized Service Center when requesting repair or other maintenance. In the operation and maintenance of power tools, the safety regulations and standards prescribed in each country must be observed.

MODIFICATIONS:

HiKOKI Power Tools are constantly being improved and modified to incorporate the latest technological advancements.
 Accordingly, some parts may be changed without prior notice.

SERVICE AND REPAIRS

⚠ WARNING

- **Only service personnel trained by HiKOKI, distributor or employer shall repair the Stapler.**
- **Use only parts supplied or recommended by HiKOKI for repair.**

All quality Staplers will eventually require servicing or replacement of parts because of wear from normal use.

NOTE:

Specifications are subject to change without any obligation on the part of HiKOKI.

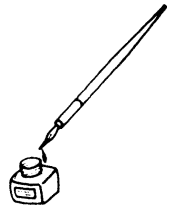
Maintenance chart

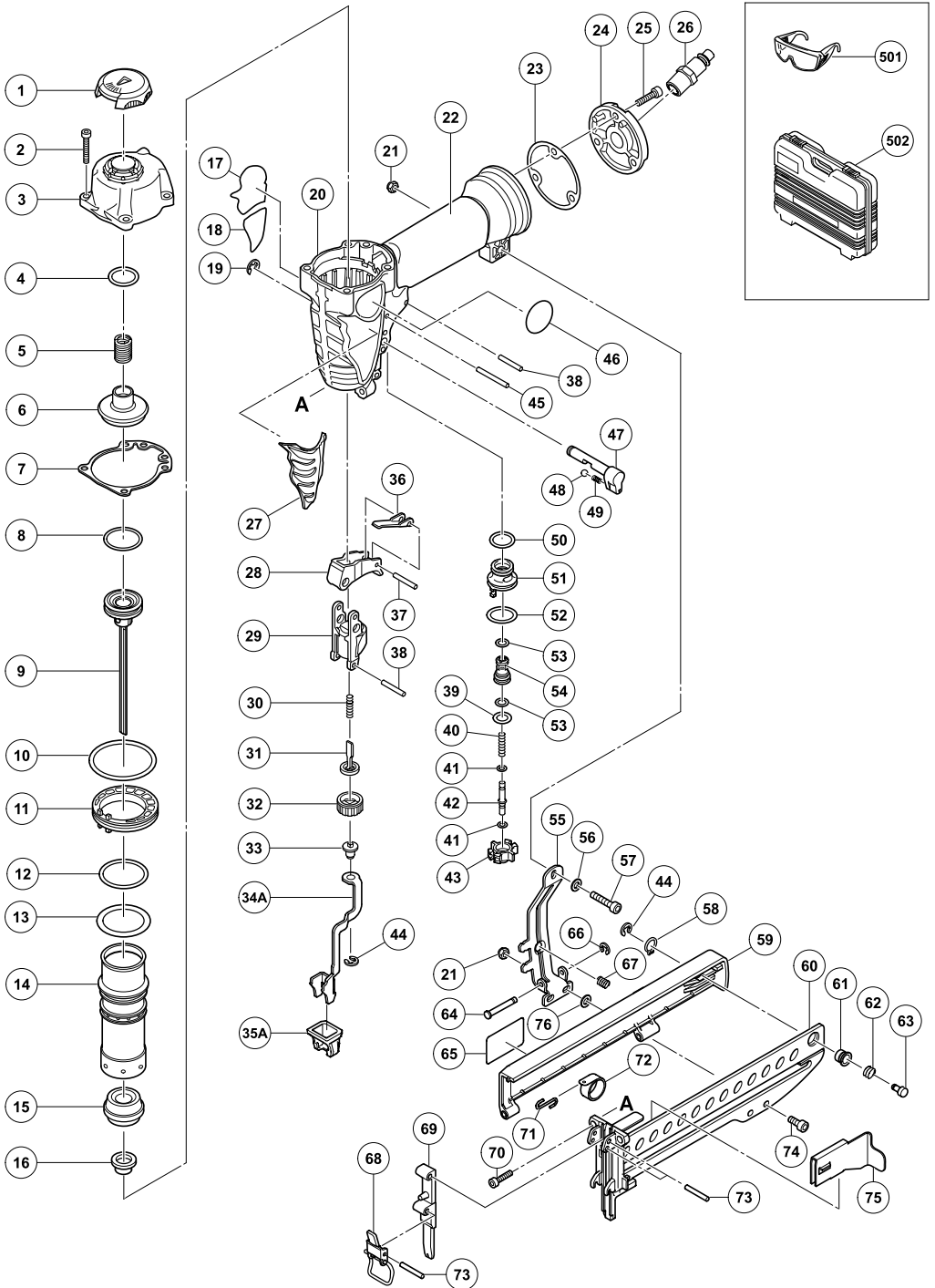
| ACTION | WHY | HOW |
|---|--|--|
| Drain air line filter daily. | Prevent accumulation of moisture and dirt. | Open manual petcock. |
| Keep lubricator filled. | Keep the Stapler lubricated. | Fill with HiKOKI pneumatic tool lubricant. |
| Clean filter element — then blow air through filter in direction opposite to normal flow. | Prevent clogging of filter with dirt. | Follow manufacturer's instructions. |
| Clean magazine and feeder mechanism. | Prevent a jam. | Blow clean daily. |
| Keep push lever working properly. | Promote operator safety and efficient Stapler operation. | Blow clean daily. |
| Lubricate the Stapler after stapling. | Extend the Stapler life. | Supply 5 – 10 drops of lubricant into the Stapler. |
| Drain air compressor. | Keep the Stapler operated properly. | Open petcock on air compressor tank. |

Operator troubleshooting

Most minor problems can be resolved quickly and easily using the table below. If problems persist, contact a HiKOKI authorized service center for assistance.

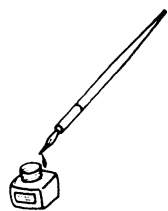
| PROBLEM | CHECK METHOD | CORRECTION |
|--|---|---|
| Stapler operates but no staple is driven. | Check for a jam. | Clean jam per page 16. |
| | Staple feeder damaged? | Replace staple feeder. |
| | Ribbon spring weakened or damaged? | Replace ribbon spring. |
| | Check for proper staples. | Use only recommended staples. |
| Weak drive. Slow to cycle | Check air pressure. | Increase air pressure. (Do not exceed 120 psi (8.3 bar 8.5 kgf/cm ²)) |
| | Check position of stapling depth adjuster | Readjust per page 15. |
| | — | Use HiKOKI pneumatic tool lubricant. |
| | Driver blade worn? | Contact HiKOKI for replacement. |
| | Piston O-ring worn or damaged? | |
| Drives too deep. | Check air pressure. | Reduce air pressure. (Adjust 70 – 120 psi) |
| | Check position of stapling depth adjuster | Readjust per page 15. |
| Skipping staples. Intermittent feed. | Check for proper staples. | Use only recommended staples. |
| | Staple feeder damaged? | Replace staple feeder. |
| | Ribbon spring weakened or damaged? | Replace ribbon spring. |
| | Piston O-ring worn or damaged? | Contact HiKOKI for replacement. |
| Staples jam. Driven staple is bent. | Check for proper staples. | Use only recommended staples. |
| | Driven blade worn? | Contact HiKOKI for replacement. |
| Drives properly during normal operation, but does not drive fully at faster stapling speeds. | Check inside diameter of air hose. | Use larger air hose. |

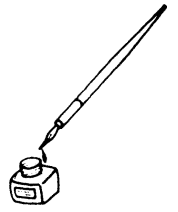




| ITEM NO. | PART NAME | Q'TY |
|----------|--------------------------------------|------|
| 1 | TOP COVER | 1 |
| 2 | HEX. SOCKET HD. BOLT M5 × 20 | 4 |
| 3 | EXHAUST COVER | 1 |
| 4 | HEAD VALVE O-RING | 1 |
| 5 | HEAD VALVE SPRING | 1 |
| 6 | HEAD VALVE (A) | 1 |
| 7 | GASKET | 1 |
| 8 | O-RING (P22.4) | 1 |
| 9 | PISTON | 1 |
| 10 | O-RING (I.D. 44.7) | 1 |
| 11 | CYLINDER PLATE | 1 |
| 12 | O-RING (S-30) | 1 |
| 13 | O-RING (P-32) | 1 |
| 14 | CYLINDER | 1 |
| 15 | PISTON BUMPER | 1 |
| 16 | BUMPER PIECE | 1 |
| 17 | NAMEPLATE | 1 |
| 18 | WARNING LABEL | 1 |
| 19 | RETAINING RING (E-TYPE) FOR D6 SHAFT | 1 |
| 20 | BODY ASS'Y | 1 |
| 21 | NYLON NUT M4 | 3 |
| 22 | GRIP RUBBER (A) | 1 |
| 23 | GASKET (B) | 1 |
| 24 | CAP (A) | 1 |
| 25 | HEX. SOCKET HD. BOLT M5 × 16 | 3 |
| 26 | AIR PLUG NPT 1/4 | 1 |
| 27 | PROTECTOR | 1 |
| 28 | TRIGGER (C) ASS'Y | 1 |
| 29 | PUSHING LEVER GUIDE | 1 |
| 30 | PUSHING LEVER SPRING (A) | 1 |
| 31 | PUSHING LEVER (C) | 1 |
| 32 | ADJUSTER | 1 |
| 33 | PUSHING LEVER (B) | 1 |
| 34A | PUSHING LEVER (A) | 1 |
| 35A | NOSE CAP | 2 |
| 36 | TRIGGER ARM (C) | 1 |
| 37 | ROLL PIN D2.5 × 16 | 1 |
| 38 | ROLL PIN D3 × 25 | 2 |
| 39 | O-RING (1AP-10) | 1 |
| 40 | PLUNGER SPRING | 1 |
| 41 | O-RING (I. D. 1.8) | 2 |
| 42 | PLUNGER | 1 |
| 43 | VALVE BUSHING (A) | 1 |
| 44 | RETAINING RING (E-TYPE) FOR D3 SHAFT | 2 |
| 45 | ROLL PIN D3 × 32 | 1 |
| 46 | BRAND LABEL | 1 |

| ITEM NO. | PART NAME | Q'TY |
|----------|--|------|
| 47 | CHANGE KNOB (C) | 1 |
| 48 | STEEL BALL D3.97 | 1 |
| 49 | SPRING (C) | 1 |
| 50 | FEED PISTON O-RING (I. D. 14) | 1 |
| 51 | VALVE BUSHING (B) | 1 |
| 52 | O-RING (P-18) | 1 |
| 53 | O-RING (P-7) | 2 |
| 54 | VALVE PISTON | 1 |
| 55 | HANDLE ARM | 1 |
| 56 | WASHER M4 | 1 |
| 57 | HEX. SOCKET HD. BOLT M4 × 22 | 1 |
| 58 | RETAINING RING | 1 |
| 59 | MAGAZINE COVER | 1 |
| 60 | MAGAZINE | 1 |
| 61 | STOPPER SLEEVE | 1 |
| 62 | STOPPER SPRING | 1 |
| 63 | FEEDER STOPPER | 1 |
| 64 | HINGE PIN | 1 |
| 65 | LABEL | 1 |
| 66 | RETAINING RING (E-TYPE) FOR D2.5 SHAFT | 1 |
| 67 | SPRING | 1 |
| 68 | LOCK LEVER | 1 |
| 69 | GUIDE PLATE | 1 |
| 70 | HEX. SOCKET DH. BOLT M5 × 16 | 2 |
| 71 | SPRING HOOK | 1 |
| 72 | RIBBON SPRING | 1 |
| 73 | ROLL PIN D3 × 18 | 3 |
| 74 | HEX. SOCKET HD. BOLT M4 × 12 | 2 |
| 75 | STAPLE FEEDER | 1 |
| 76 | WASHER M4 | 2 |
| 501 | SAFETY GLASSES | 1 |
| 502 | CASE | 1 |





Koki Holdings Co., Ltd.

Shinagawa Intercity Tower A, 15-1, Konan 2-chome,
Minato-ku, Tokyo 108-6020, Japan

806
Code No. C99156111
Printed in Taiwan